

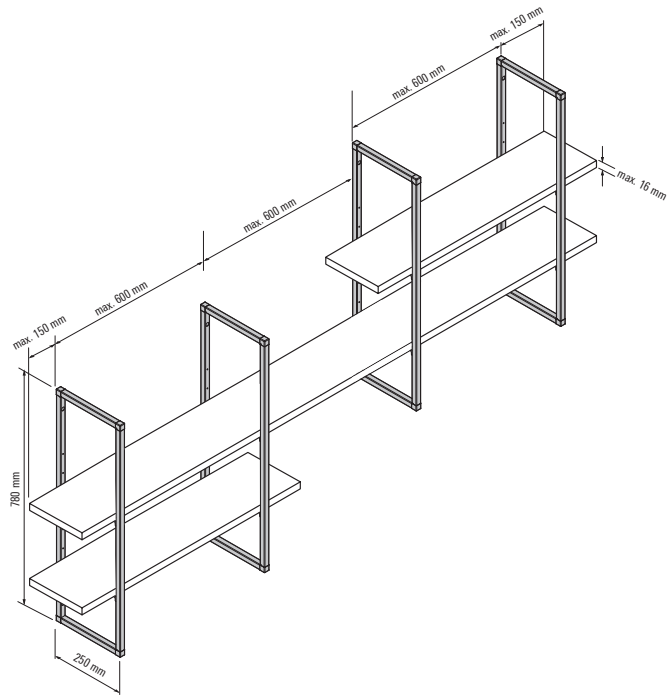
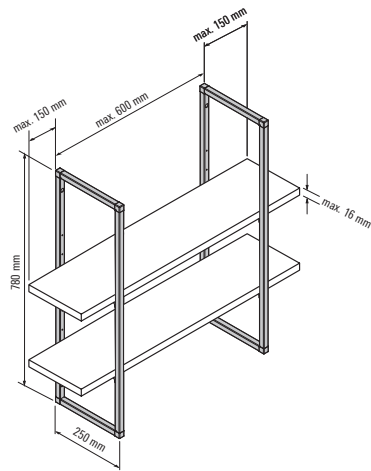
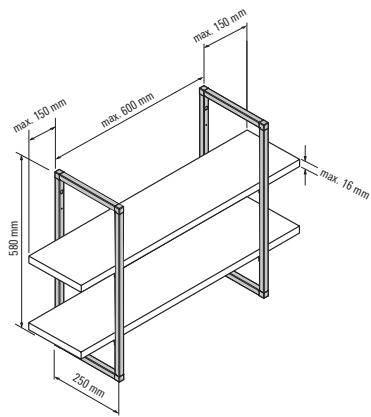
# Schüco Interior Smartframe shelving system

There is beauty in variety



**SCHÜCO**





Frame 580 mm:  Quantity

Frame 780 mm:  Quantity

Inlay 1:  mm x  mm  Quantity

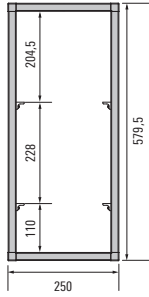
Inlay 2:  mm x  mm  Quantity

Inlay 3:  mm x  mm  Quantity

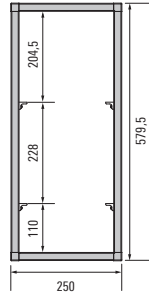
**Maximum length of the inlay 2700 mm.**

**Sketch your Schüco Interior Smartframe shelving system including the shelves in the desired arrangement:**

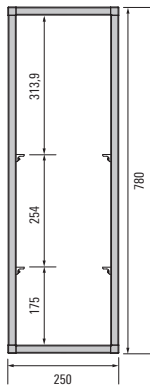
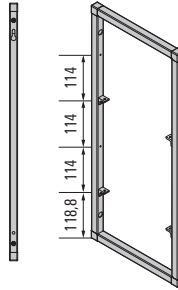
## Standard frame sizes



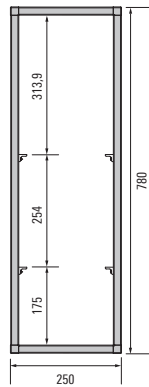
Silight set 580 mm  
**100009238**  
 E6/stainless steel



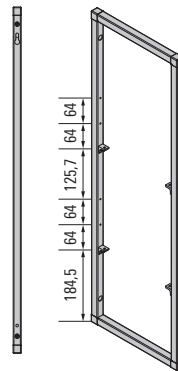
Silight set 580 mm  
**100009235**  
 E6/C35 black



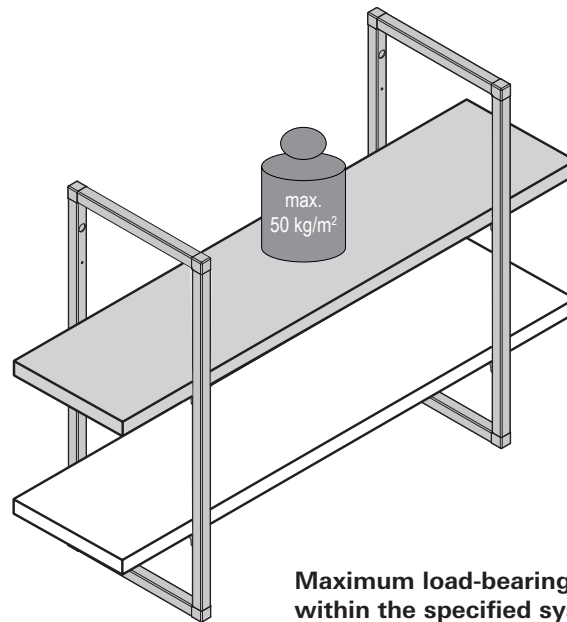
Silight set 780 mm  
**100009610**  
 E6/stainless steel



Silight set 780 mm  
**100009607**  
 E6/C35 black







**Maximum load-bearing capacity is only valid within the specified system limits.**

The system limits are described in the **installation instructions, Art. No. 100002260**.

The load capacity of the system was determined based on tests carried out within the framework of the applicable regulations and standards from the furniture and kitchen industry. It requires compliance with all the assembly steps described in detail. Deviations from the implemented specifications have an impact on the stability of the shelving system. Exceeding the system limits is not covered by our tests and is your responsibility to validate. We will gladly provide you with the test results of the system we have developed for your analysis upon request.

**Please be sure to note:** The supplied fixing (anchor) is only suitable for concrete walls and solid building materials (for example, sand-lime brick). The installation materials must be checked by the installer for their suitability at the intended installation location.