

# Schüco Interior Mandeo shelving system

The endless shelving system



SCHÜCO

# Schüco Interior Mandeo shelving system

Enquiry  Order

Company address (stamp)

\_\_\_\_\_

\_\_\_\_\_

\_\_\_\_\_

\_\_\_\_\_

\_\_\_\_\_

\_\_\_\_\_

---

Date \_\_\_\_\_ Signature \_\_\_\_\_

Consignment: \_\_\_\_\_

Contact: \_\_\_\_\_

Requested delivery date: \_\_\_\_\_

Total number of pages sent: \_\_\_\_\_

**Information:**

\_\_\_\_\_

\_\_\_\_\_

\_\_\_\_\_

\_\_\_\_\_

\_\_\_\_\_

\_\_\_\_\_

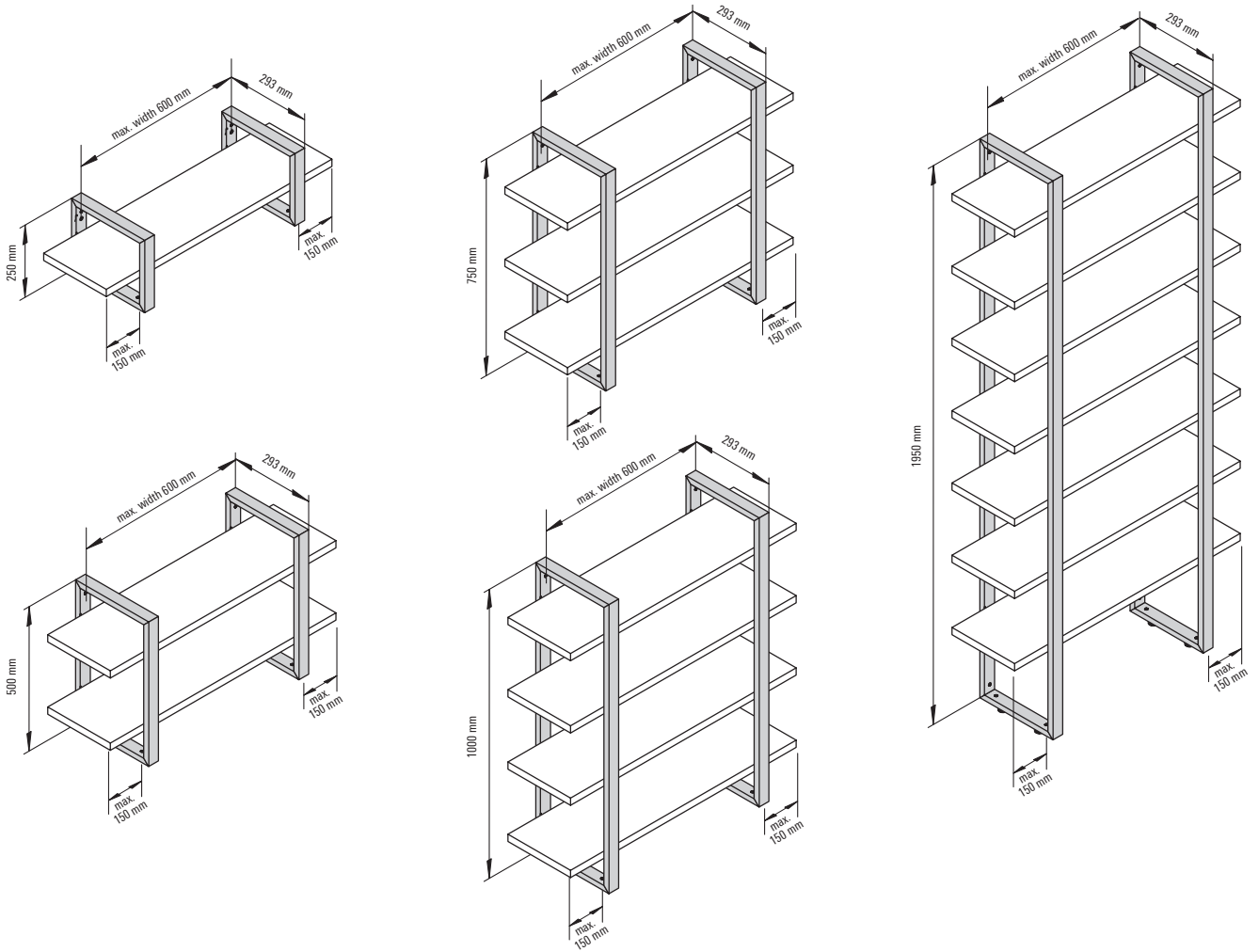
\_\_\_\_\_

\_\_\_\_\_

\_\_\_\_\_

\_\_\_\_\_

**Consent to your data being transferred to third parties**  
By sending this enquiry form, you consent to the data you entered in the contact form being forwarded to partners that can make your building plans a reality. Other privacy notices, particularly those on the processing of your personal data, the selection of potential partners for you, and your rights of access, rectification, deletion, restriction of processing, objection and appeal can be found at [www.schueco.com/gdpr](http://www.schueco.com/gdpr).

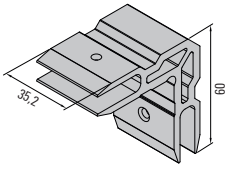


Frame 250 mm:	Quantity	Inlay 1:	mm	x	mm	Quantity	
Frame 500 mm:	Quantity	Inlay 2:	mm	x	mm	Quantity	
Frame 750 mm:	Quantity	Inlay 3:	mm	x	mm	Quantity	
Frame 1000 mm:	Quantity	Inlay 4:	mm	x	mm	Quantity	<b>Maximum length of the inlay 2700 mm.</b>
Frame 1950 mm:	Quantity	Inlay 5:	mm	x	mm	Quantity	

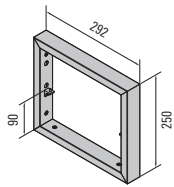
Special dimensions possible on request

Sketch your endless Schüco Interior Mandeo shelving system including the shelves in the desired arrangement and frame sizes:

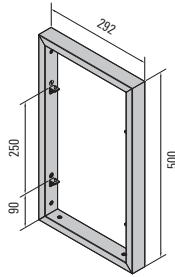
Profiles for Mandeo



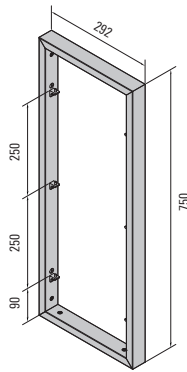
Corner cleat  
100007705



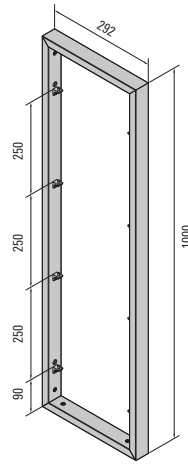
Frame 250 mm  
**100007806**  
E6/stainless steel  
**100007804**  
E6/C35 black



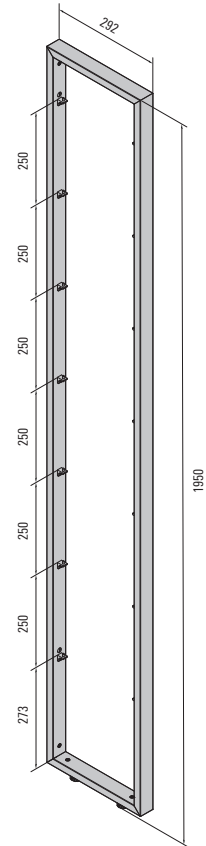
Frame 500 mm  
**100007813**  
E6/stainless steel  
**100007811**  
E6/C35 black



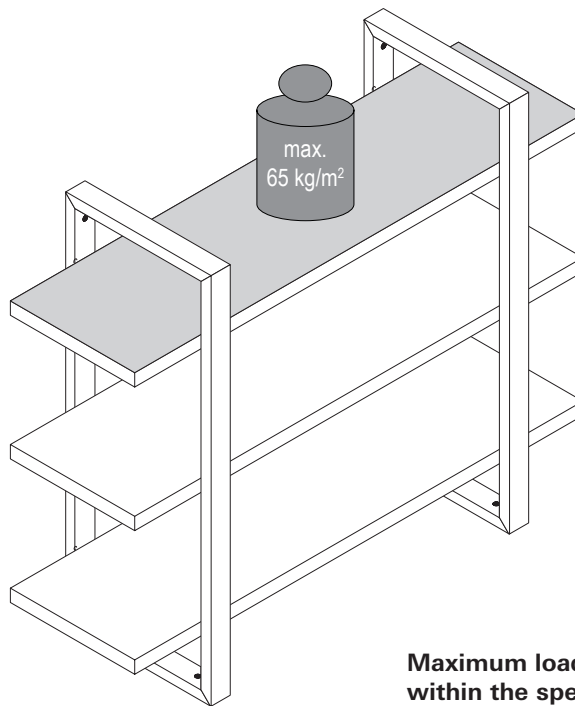
Frame 750 mm  
**100007817**  
E6/stainless steel  
**100007814**  
E6/C35 black



Frame 1000 mm  
**100007819**  
E6/stainless steel  
**100007818**  
E6/C35 black



Frame 1950 mm  
**100007826**  
E6/stainless steel  
**100007823**  
E6/C35 black



**Maximum load-bearing capacity is only valid within the specified system limits.**

The system limits are described in the **installation instructions, Art. No. 10002257**. The load capacity of the system was determined based on tests carried out within the framework of the applicable regulations and standards from the furniture and kitchen industry. It requires compliance with all the assembly steps described in detail. Deviations from the implemented specifications have an impact on the stability of the shelving system. Exceeding the system limits is not covered by our tests and is your responsibility to validate. We will gladly provide you with the test results of the system we have developed for your analysis upon request.

**Please be sure to note:** The supplied fixing (anchor) is only suitable for concrete walls and solid building materials (for example, sand-lime brick). The installation materials must be checked by the installer for their suitability at the intended installation location.