

Schüco Interior Cone stand system

Available as table, bench and sideboard bases



SCHÜCO

Schüco Interior Cone stand system

Enquiry Order

Company address (stamp)	
[Redacted]	
[Redacted]	
[Redacted]	
[Redacted]	
[Redacted]	[Redacted]
Date	Signature

Consignment: [Redacted]

Contact: [Redacted]

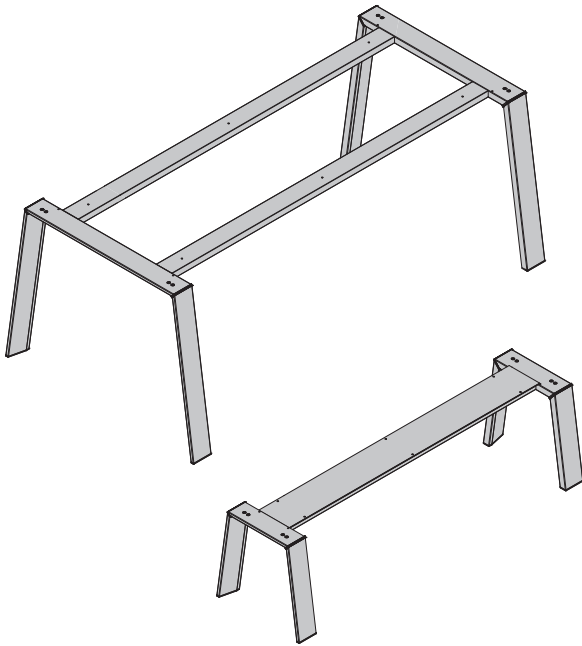
Requested delivery date: [Redacted]

Total number of pages sent: [Redacted]

Information:

Consent to your data being transferred to third parties
By sending this enquiry form, you consent to the data you entered in the contact form being forwarded to partners that can make your building plans a reality.
Other privacy notices, particularly those on the processing of your personal data, the selection of potential partners for you, and your rights of access, rectification, deletion, restriction of processing, objection and appeal can be found at www.schueco.com/gdpr.

Stand dimensions: (enter dimensions in mm)



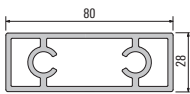
Cone table stand

- Length:** 1500 mm 1800 mm 2100 mm
- Width:** 750 mm 950 mm
- Height:** 720 mm
- Design:** E6/stainless steel E6/C35 black

Cone bench stand

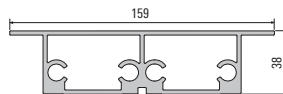
- Length:** 1500 mm 1800 mm 2100 mm
- Width:** 450 mm
- Height:** 420 mm
- Design:** E6/stainless steel E6/C35 black

For special dimensions, our fabricator will coordinate directly with you.



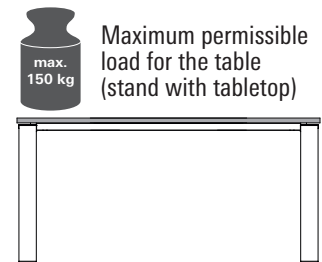
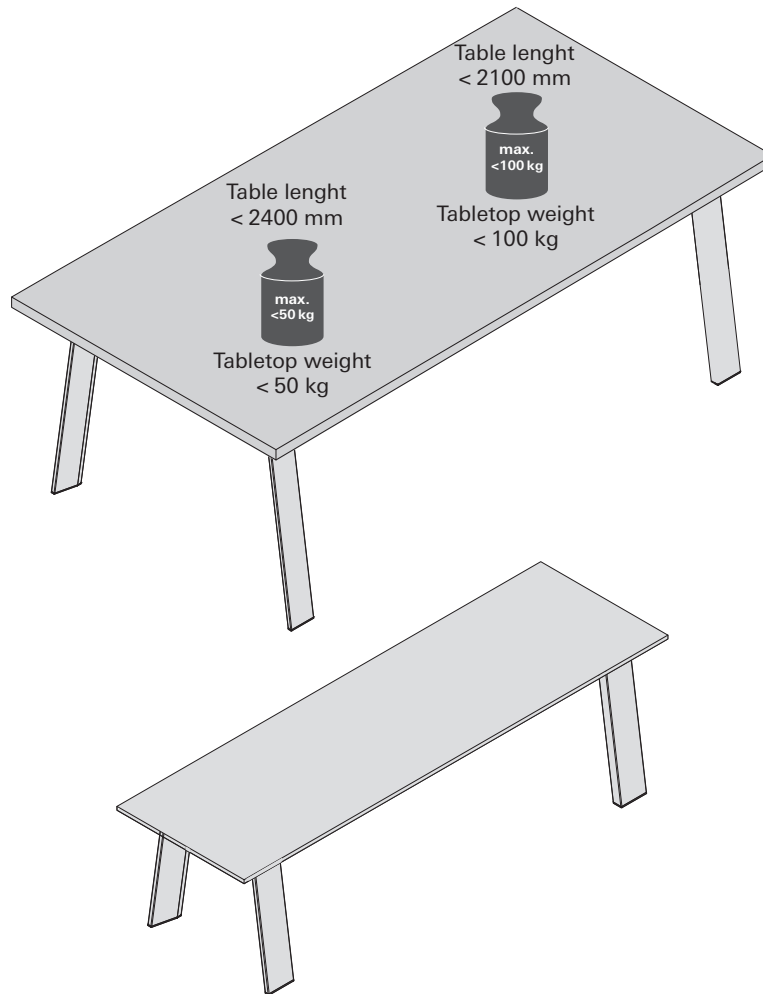
Rectangular cross beam 4950 mm

- 100007561**
E6/stainless steel
- 100007565**
E6/C35 black



Bench cross beam 4950 mm

- 100007575**
E6/stainless steel
- 100007573**
E6/C35 black



The system limits are described in the **installation instructions, Art.-No. 100022624**.

The load capacity of the system was determined based on tests carried out within the framework of the applicable regulations and standards from the furniture and kitchen industry. It requires compliance with all the assembly steps described in detail. Deviations from the implemented specifications have an impact on the stability of the shelving system. Exceeding the system limits is not covered by our tests and is your responsibility to validate. We will gladly provide you with the test results of the system we have developed for your analysis upon request.