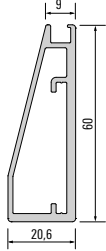
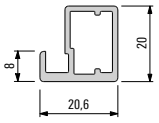
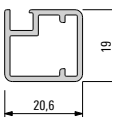
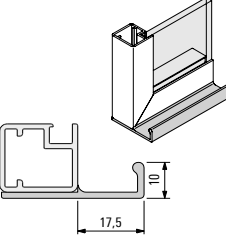
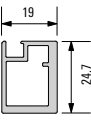
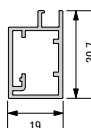
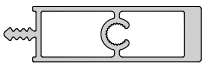

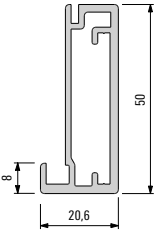
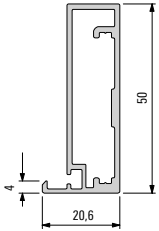
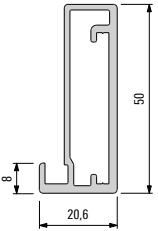
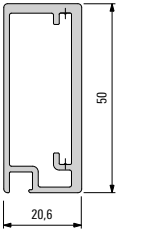
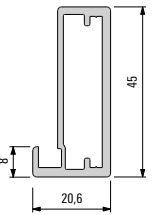
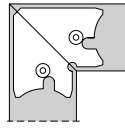
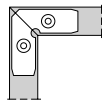
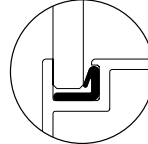
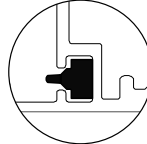



Glass frame systems

Form meets function



 <p>928 100 Profile Graphic</p>	 <p>901 081 Profile</p>	 <p>901 078 Profile</p>	 <p>901 222 Pull grip</p>	 <p>980 004* Profile</p>	 <p>980 037** Profile</p>	 <p>980 039 Retaining profile for 16 mm</p>	 <p>980 040 Retaining profile for 19 mm</p>	<p>* For Salice Air fitting ** For Grass Tiomos H, T-Slim fittings</p>	
 <p>923 087 Profile</p>	 <p>923 150 Profile</p>	 <p>923 051 Profile</p>	 <p>923 155 Profile</p>	 <p>901 070 Profile</p>	 <p>550 764.98 Corner cleat</p>	 <p>550 484 Corner cleat</p>	 <p>532 917 PEVA rattle protection</p>	 <p>650 010 Gasket for profile 923 150</p>	 <p>532 837 Moisture seal for profile 923 087</p>